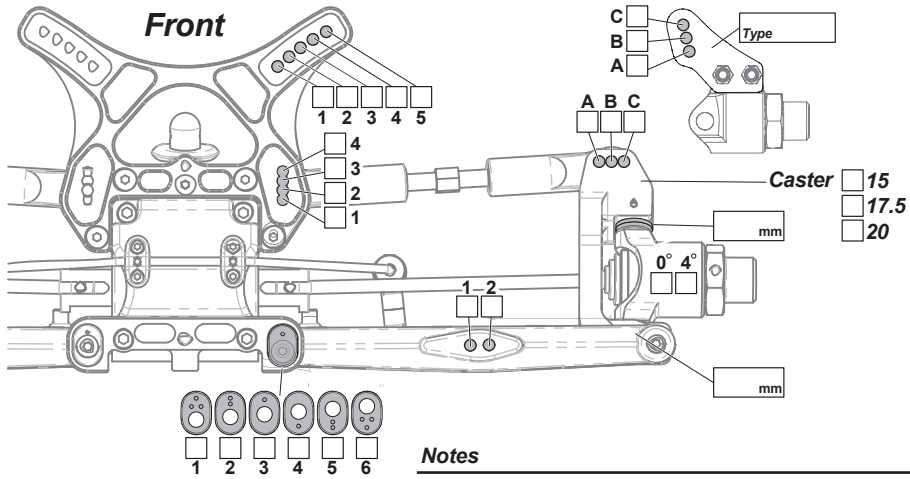


Driver \_\_\_\_\_ Date \_\_\_\_\_ Track \_\_\_\_\_ Event \_\_\_\_\_

**Track Condition**



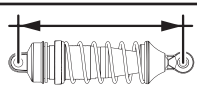
Ride Height \_\_\_\_\_ mm

Camber Angle \_\_\_\_\_ °

Toe Angle \_\_\_\_\_ °

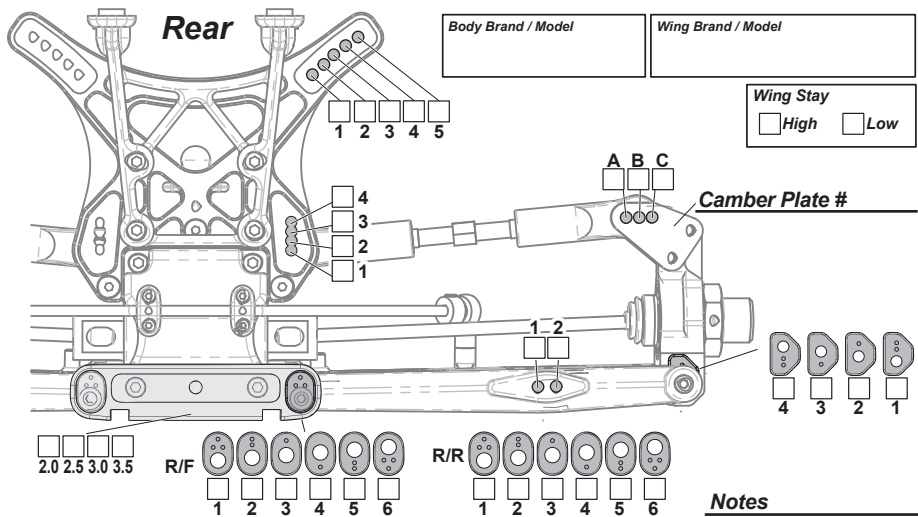
Sway Bar \_\_\_\_\_ mm

Shock Length \_\_\_\_\_ mm



Front Shocks	
Oil weight	_____ wt
Piston	_____ mm
Bladder	_____ mm
Spring	_____ mm

Notes \_\_\_\_\_

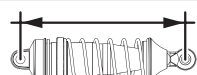


Ride Height \_\_\_\_\_ mm

Camber Angle \_\_\_\_\_ °

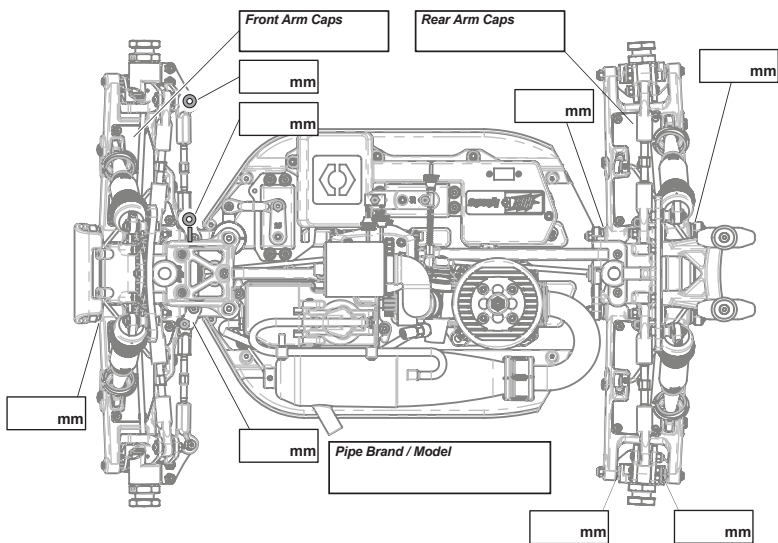
Sway Bar \_\_\_\_\_ mm

Shock Length \_\_\_\_\_ mm



Rear Shocks	
Oil weight	_____ wt
Piston	_____ mm
Bladder	_____ mm
Spring	_____ mm

Notes \_\_\_\_\_



Notes \_\_\_\_\_

Engine	
Brand	_____
Spur gear	Clutch Bell _____
Clutch Shoes	_____
Clutch Springs	_____
Glow Plug	_____
Glow Fuel	_____

Tires	Front	Rear
Brand	_____	_____
Compound	_____	_____
Insert	_____	_____
Wheel	_____	_____
Notes	_____	_____

Diff Oils	Front	Center	Rear
Brand	_____	_____	_____
Oil Weight / Grade	_____	_____	_____